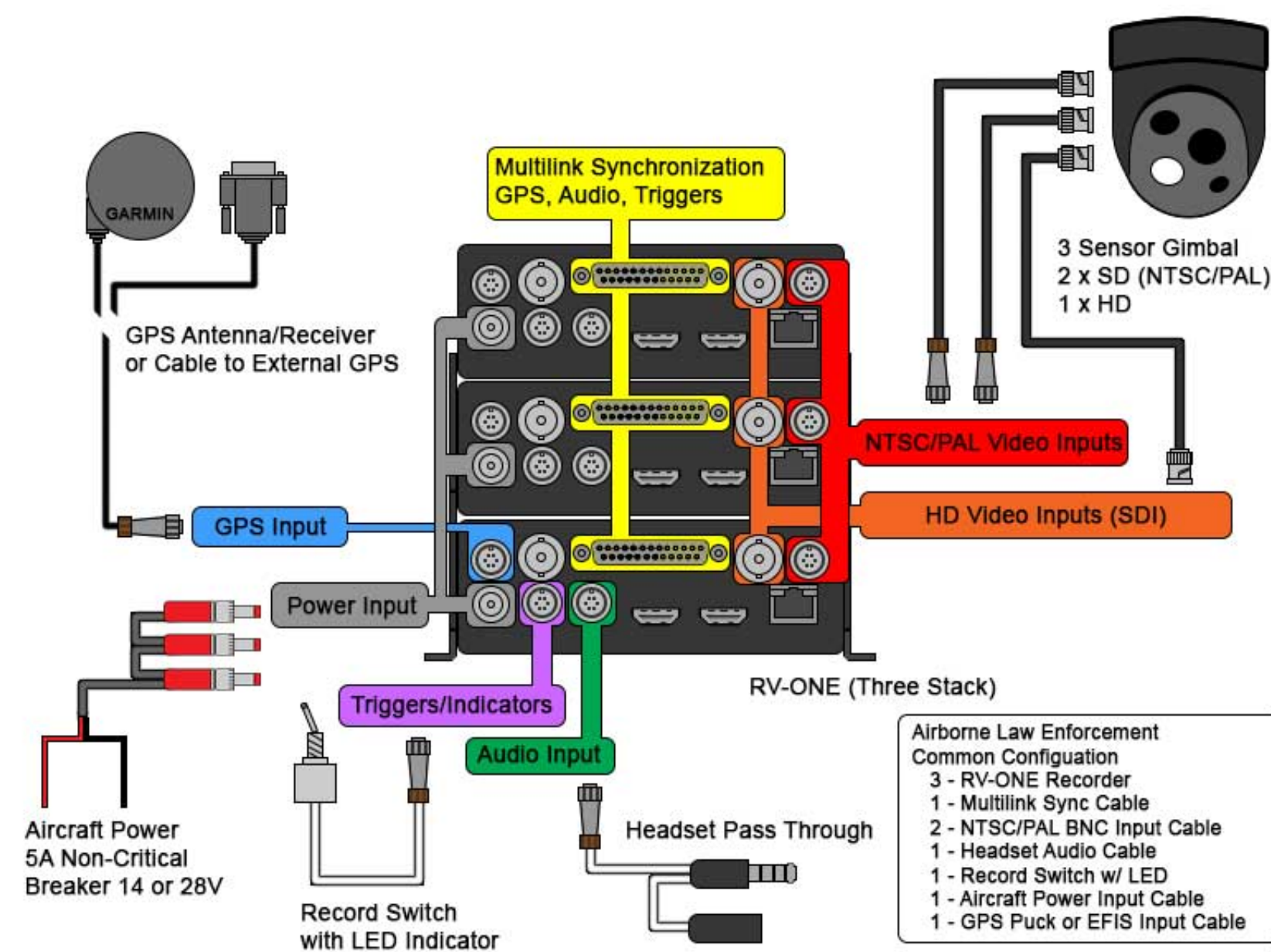




Download from
Dreamstime.com
This watermarked comp image is for previewing purposes only.

ID 35103813
 Yulia Gapeenko | Dreamstime.com

[Ejir Ultra 8500 Manual](#)



[Ejir Ultra 8500 Manual](#)



Download from
Dreamstime.com

This watermarked comp image is for previewing purposes only.



ID 35103813

© Yulia Gapeenko | Dreamstime.com

X6580sc is a full featured, yet compact camera, providing ultra-sensitive and accurate measurements. Rules 1) Asking/showing where to find games (ROMs) and BIOS files is not allowed. . Select to compare Add to compare High Speed, Performance MWIR InSb Camera The FLIR X6800sc is a fast, highly sensitive MWIR camera designed for scientists, researchers, and engineers. . Paravion has developed a line of mounts which allow for a maximum weight and dimension payload, Wescam MX-10, IA1 POP, FLIR Systems MK I, MK II, MK III, Ultra 7000, Ultra 7500, Ultra 8000, and Ultra 8500 infrared sensors to adapt to several aircraft. . Paravion © Technology provides complete infrared sensor packages to include sales, installation, and approval of airborne infrared camera systems.

With advanced triggering and on-camera RAM/SSD recording, this camera offers the functionality to stop motion on high- speed events both in the lab and at the test range. . Select to compare Add to compare High Sensitivity MWIR Performance Camera The FLIR X6520sc thermal imaging camera provides superior thermal measurement performance paired with the most advanced connectivity.

flir ultra 8500 manual

flir ultra 8500 manual, flir 4k ultra mpx manual

Users can easily customize recording options including start times, end times, and the number of frames to acquire. . Select to compare Add to compare High End Thermal Imaging Camera The FLIR X6530sc thermal imaging camera provides excellent thermal measurement performance and advanced connectivity for scientists and R&D professionals with the most demanding applications. . The strained layer superlattice (SLS) detector offers HD resolution combined with shorter snapshot speeds, wider temperature bands, and better uniformity than current LWIR or MWIR alternatives. . Select to compare Add to compare High Speed LWIR Performance Camera The FLIR X6580sc thermal imaging camera are designed to provide the best thermal measurement performance together with the most advanced connectivity.

The mount kit provisions are STC approved (not including the various imaging systems) and come complete with the installation kit, electronics tray and/or auxiliary equipment mount rails, gimbal adapter, and mount unless specified otherwise. . State-of-the-art connectivity and ease of use allow the user to concentrate on the experiment and not on the camera. . In addition, the camera's state-of-the-art connectivity and intuitive user experience allow researchers to focus on their experiments instead of the camera controls. . Whether your research requires short sampling times to capture highspeed processes, or you need concrete spectral information within the MWIR bandwidth, the FLIR X6520sc provides highly-sensitive temperature measurements.

The X6800sc has a cooled FLIR indium antimonide (InSb) detector and captures full 640 x 512 images at 502 frames per second, or up to 29,134 Hz with windowing. . Whether you need to analyze high-speed processes with microsecond precision or monitor fast temperature spikes, the X6570sc has the integration time and frame speed needed to collect the most accurate data. . It provides camera control, highspeed data recording, image analysis, and data sharing. . 2) Don't post PlayStation (PSX) tutorial videos unless they follow the steps on the wiki exactly. . Paravion Technology offers a complete line of electronic components and mounting hardware to tailor a system to your specific needs. . Select to compare Add to compare High Speed LWIR Performance Camera The FLIR X6570sc thermal imaging camera provides superior thermal measurement performance paired with the most advanced connectivity. d70b09c2d4

<http://dubbpacsacacon.tk/hespejere/100/1/index.html/>

<http://todesimanvemy.tk/hespejere86/100/1/index.html/>

<http://dandpastytel.tk/hespejere72/100/1/index.html/>